

1. Car Lifts



2 POST LIFT KET-4000G/ KET-4000

KET-4000G

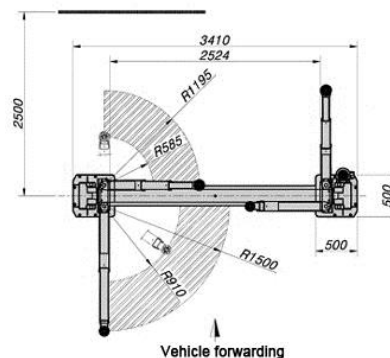
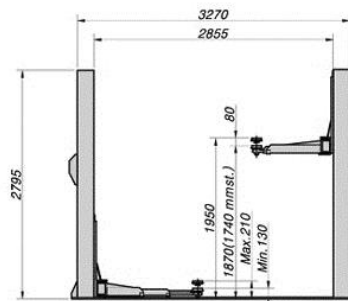
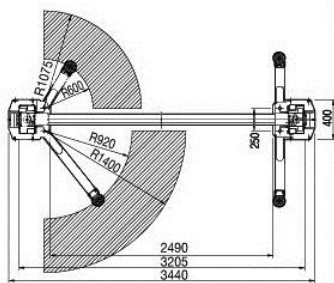
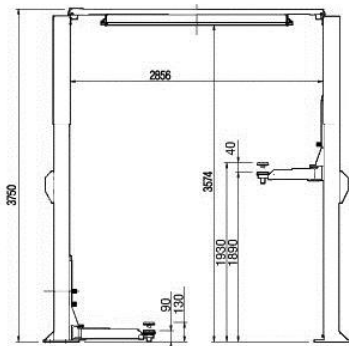


KET-4000



Specification

Model	KET-4000G	KET-4000
Capacity	4,000 kg	4,000 kg
Max. Height (mm)	1,870-1900mm	1,870-1900mm
Lowest Height(mm)	130- 210mm	130- 210mm
Lifting speed	50 sec	50 sec
Lowering Speed	30 sec	30 sec
Weight	760 kg	830 kg
Dimension	2,893Lx950Wx420H mm	2,893Lx1000Wx420H mm
Packing size	2893x1000x420mm	2,850x950x410mm
Power Supply	220V/ 50~60HZ/ 1PH 380V / 50~60HZ/ 3PH	
Motor	2.5 HP / 1PH 2.0 HP / 3PH	



Vehicle forwarding

The manufacture reserves the right to change the product specifications without notice and liability in order to upgrade the quality.

SCISSORS LIFT / DOUBLE SCISSORS LIFT

KEX-3000



KEX-3500D/100

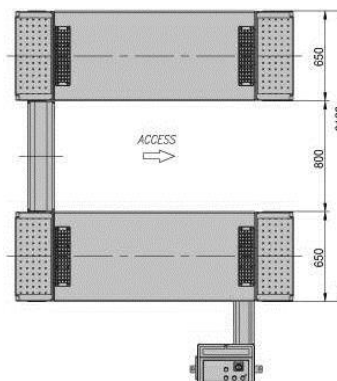
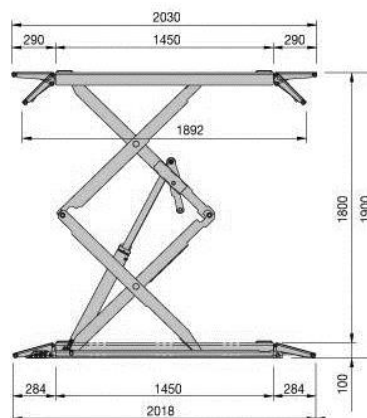
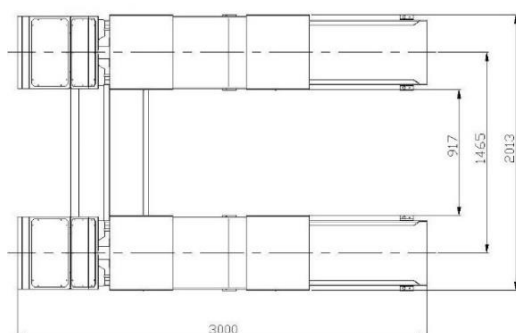
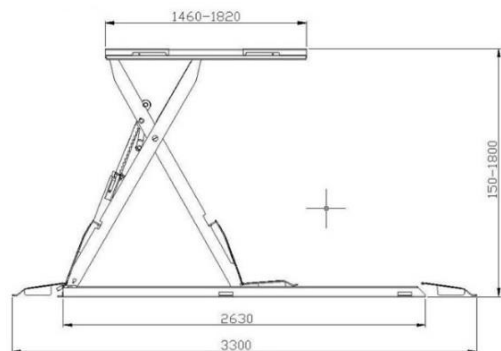


Features

- high-Performed durable hydraulic cylinders.
- Low-profile(140mm) X Type Lift
- Round bar makes perfect synchronization
- Drive-thru both sides
- Double-bearing
- Cable remote control included

Specification

Model	KEX-3000	KEX-3500D/100
Capacity	3,000kg	3,500kg
Max. Height (mm)	On ground/ In ground 1800mm	Inground 1900mm
Min. Height(mm)	150mm	100mm
Overall Width	2000mm	2100mm
Lifting speed	40 sec	50 sec
Lowering Speed	30 sec	40 sec
Weight	1045 kg	900 kg
Package size	3,841Lx2065Wx140Hmm	1900Lx1100Wx400H mm
Power Supply	220V/ 1PH / 50-60HZ 380V / 3PH / 50-60HZ	3Ph : 2HP, 4P, 380V, 50/60 Hz
Motor	2.5 HP / 1PH, 2.0 HP / 3PH	2.5 HP / 1PH, 2.0 HP / 3PH



The manufacture reserves the right to change the product specifications without notice ar

ty.

WHEEL ALIGNMENT SCISSOR LIFT KEX-4000A KEX-5000A

KEX-4000A

KEX-5000A

For wheel alignment

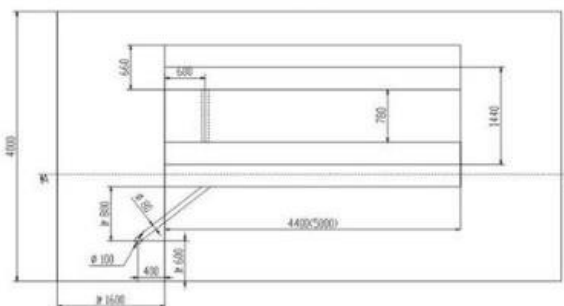
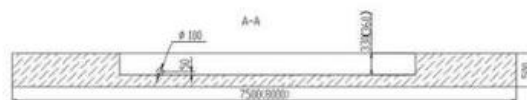
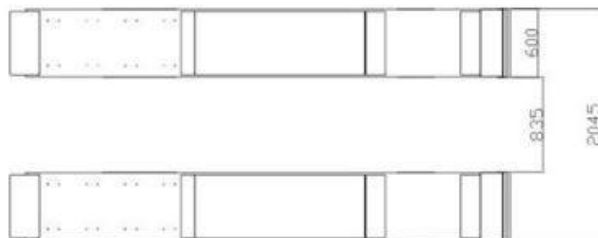
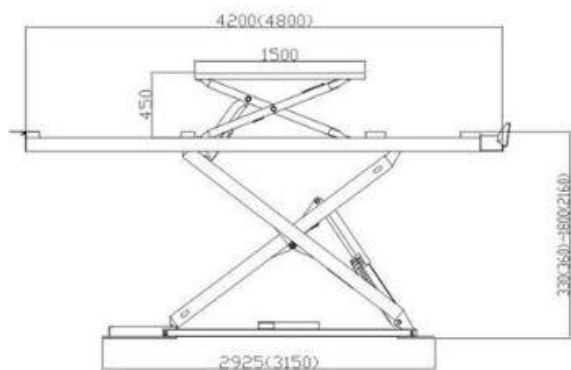


Specification

Model	KEX-4000A	KEX-5000A
Capacity	Main 4,000 kg Jack: 2,500 kg	Main 5,000 kg Jack: 2,500 kg
Max. Height (mm)	Main 2,160mm Jack 450mm	Main 2,160mm Jack 450mm
Min. Height(mm)	Main 360mm	Main 360mm
Overall Width	2045mm	2060mm
Drive –Through Clearance	835mm	900mm
Length	4500mm	5050mm
Lifting speed	Main 65 sec	Main 65 sec
Lowering Speed	Main 45 sec	Main 45 sec
Platform length	4500mm	4800mm
Weight	2050 kg	3000 kg
Motor power	2.2KW	3.0KW
Package	4400/5200x600x800mm 520x430x1100mm	
Power Supply & Motor	220V, 50/60Hz 380V, 50/60Hz	

Features

- Long rear turn-table, positioning of angle plate can be adjustable
- Operating control system with 24V safety voltage
- 24V height limit switch provided
- The hydraulic system provided for preventing vehicles from tilt possibly
- The hydraulic system is equipped with overload prevention device



The manufacture reserves the right to change the product specifications without notice and liability in order to upgrade the quality.

4 POST LIFT KEF-4000/ KEF-4000A

KEF-4000/4.2M

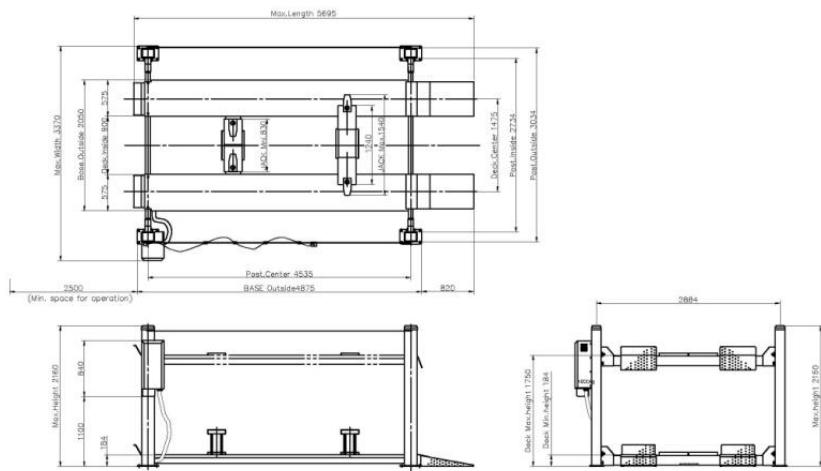
KEF-4000/4.6M

KEF-4000A/4.2M

For wheel alignment

KEF-4000A/4.6M

For wheel alignment



Specification

Model	KEF-4000	KEF-4000L	KEF-4000A (Wheel Alignment)	KEF-4000LA (Wheel Alignment)
Capacity	4,000 kg Jack 2,000 kg	4,000 kg Jack 2,000 kg	4,000 kg Jack 2,000 kg	4,000 kg Jack 2,000 kg
Max. Height (mm)	1,750mm Jack 455mm	1,750mm Jack 510mm	1,750mm Jack 455mm	1,750mm Jack 510mm
Min. Height(mm)	184mm Jack 235mm	235mm Jack 290mm	184mm Jack 235mm	235mm Jack 290mm
Overall Width	3370mm	3370mm	3370mm	3370mm
Drive-Through Clearance	2734mm	2160mm	2734mm	2160mm
Length	5295mm	5695mm	5295mm	5695mm
Overall Height	2160mm	6075mm	2160mm	6075mm
Lifting speed	50 sec Jack 8 sec	50 sec Jack 8 sec	50 sec Jack 8 sec	50 sec Jack 8 sec
Lowering Speed	35 sec Jack 5-15 sec	35 sec Jack 5-15 sec	35 sec Jack 5-15 sec	35 sec Jack 5-15 sec
Platform length	4.2 M	4.6 M	4.2 M	4.6 M
Weight	1,450 kg	1,650 kg	1,450 kg	1,650 kg
Package	4,400Lx700Wx1,000H	4,800Lx700Wx1,000H	4,400Lx700Wx1,000H	4,800Lx700Wx1,000H
Power Supply	220V/ 1PH / 50~60HZ 380V / 3PH / 50~60HZ			
Motor	2.0 HP / 3PH 2.5 HP / 1PH			

The manufacture reserves the right to change the product specifications without notice and liability in order to upgrade the quality.

4 POST LIFT for Truck, BUS

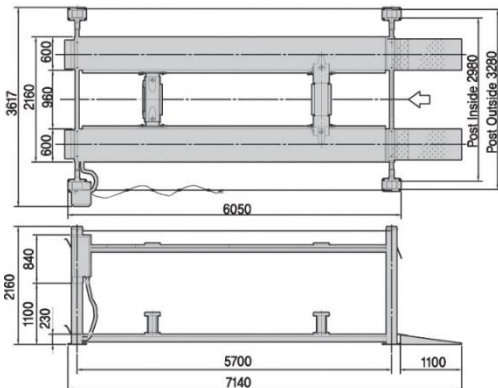
KEF-6000



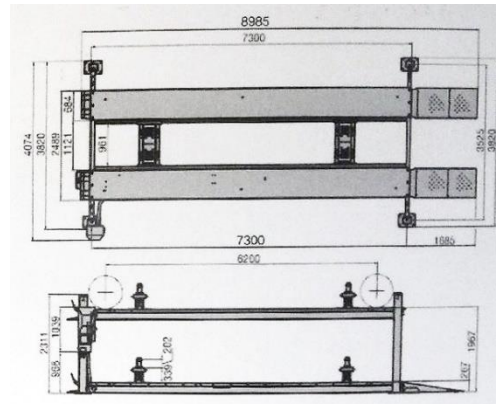
KEF-10000



KEF-25000



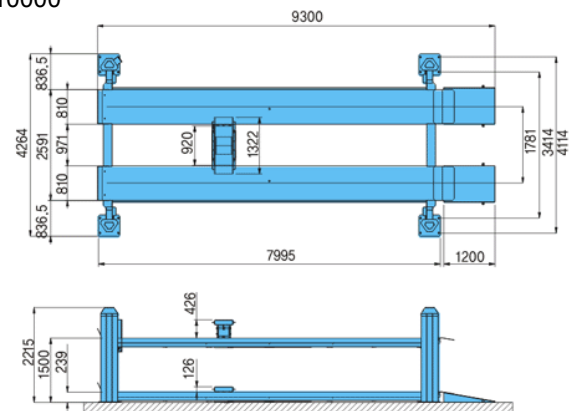
KEF-6000



KEF-10000

Features

- Auto level locking position for wheel alignment
- Individual control switch on each bridging jack
- Perfectly free auto electrical safety locking
- Cable remote control included (6button)
- Adopted twin wire ropes



KEF-25000

Specification

Model	KEF-6000	KEF-10000	KEF-25000
Capacity	Main 6,000kg Jack 3,000kg	Main 10,000 kg Jack 5,000 kg	Main 25,000 kg
Max. Lift Height	Main 1,848mm Jack 455mm	Main 1,796mm Jack 455mm	Main 1,820mm Jack 455 mm
Lowest Height	277mm	Main 230mm Jack 300mm	Main 239mm Jack 126 mm
Overall width	3,617mm	4,074mm	4,114mm
Overall Length	7,150mm	8,985mm	2,591mm
Overall Height	2,160mm	2,311mm	7,995mm
Platform Length	5,700mm	7,300mm	2,215 mm
Lifting speed	Main 45-55sec Jack 10-15sec	Main 50sec Jack 8 sec	Main 85sec Jack 20 sec
Lowering speed	Main 35-45sec Jack 20-30sec	Main 35sec Jack 5-15 sec	Main 40sec Jack 10 sec
Motor	3.0Hp/ 3PH, 2.5Hp/1PH	1PH 5HPx4Px220Vx60Hz 3PH 5HPx4Px220V/380Vx60Hz	1PH 5HPx4Px220Vx60Hz 3PH 5HPx4Px220V/380Vx60Hz
Power supply	3PH, 380V, 60Hz 50Hz, 3PH, 415V, 60Hz 50Hz	3PH, 380V, 60Hz 50Hz,	3PH, 380V, 60Hz 50Hz,
Weight	1,800kg		

The manufacture reserves the right to change the product specifications without notice and liability in order to upgrade the quality.